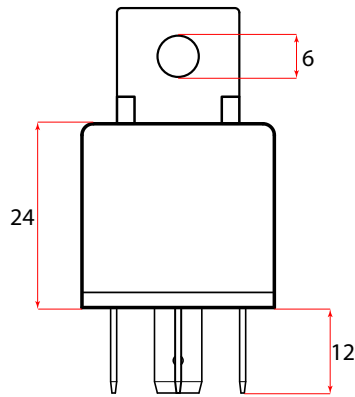
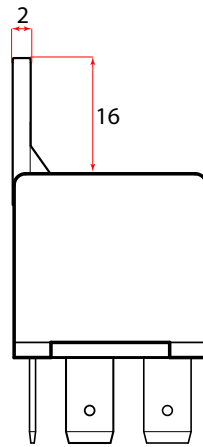


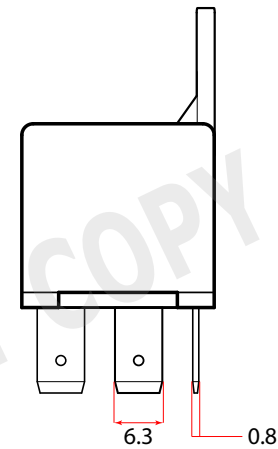
FRONT VIEW



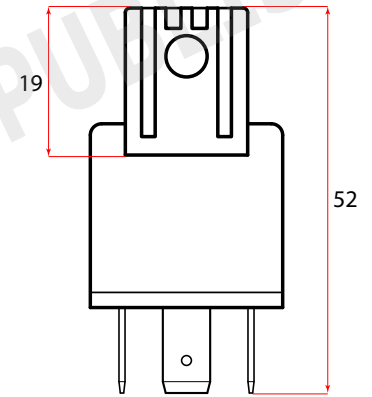
SIDE VIEW 1



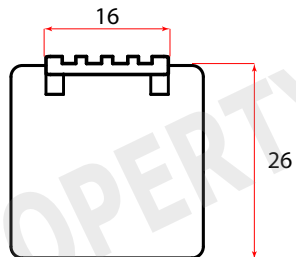
SIDE VIEW 2



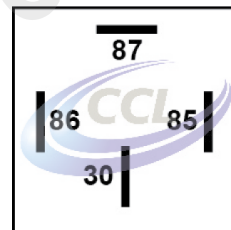
REAR VIEW



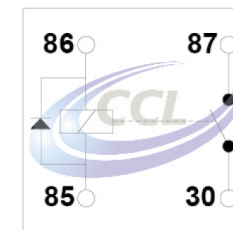
TOP VIEW



PIN LAYOUT



CIRCUIT DIAGRAM



+ / - 5% All Dimensions In MM

Part Number	02-020B
Voltage	12V
Continuous	40A
Peak	40A
Terminal Sizes	4 x 6.3mm
Bracket Type	Moulded Plastic
Protection	Diode

 **CurrentCare Ltd**

Marlborough Works, Marlborough Road, Accrington, BB5 5BE
 Tel: +44 (0) 1254 300 730 Fax: +44 (0) 1254 237432
 e-mail: sales@currentcare.co.uk

© **Copyright CurrentCare Ltd 2022**

All Measurements And Specifications Are Accurate + / - 5%
 Some Specifications May Vary / Change Without Prior Notice